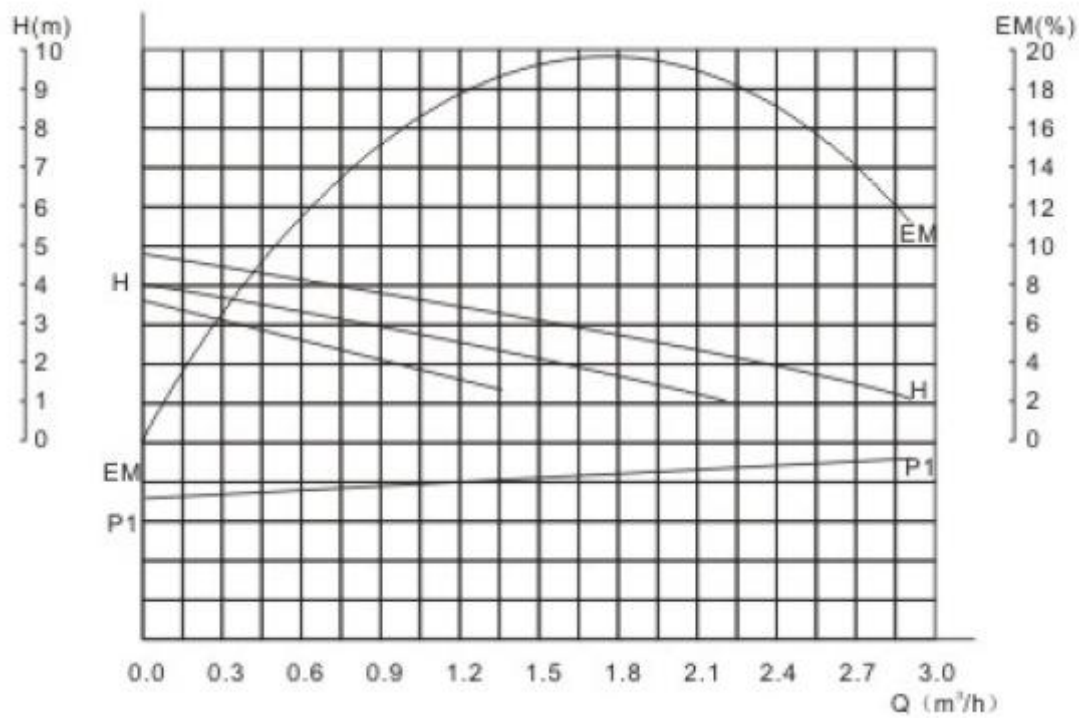
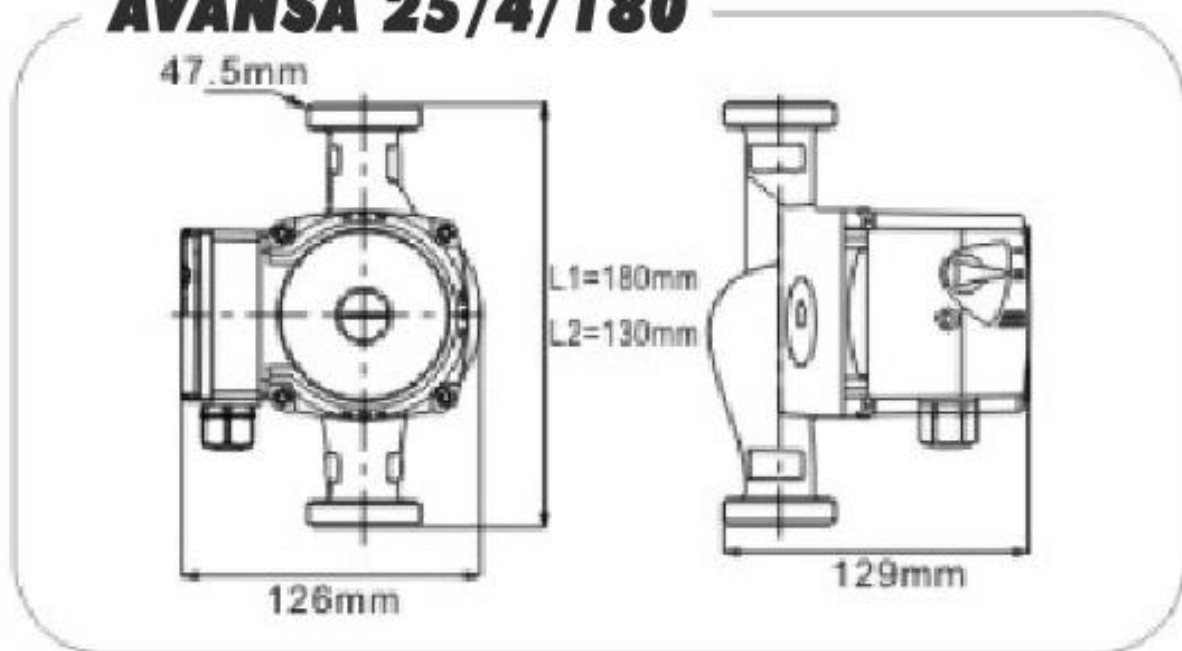
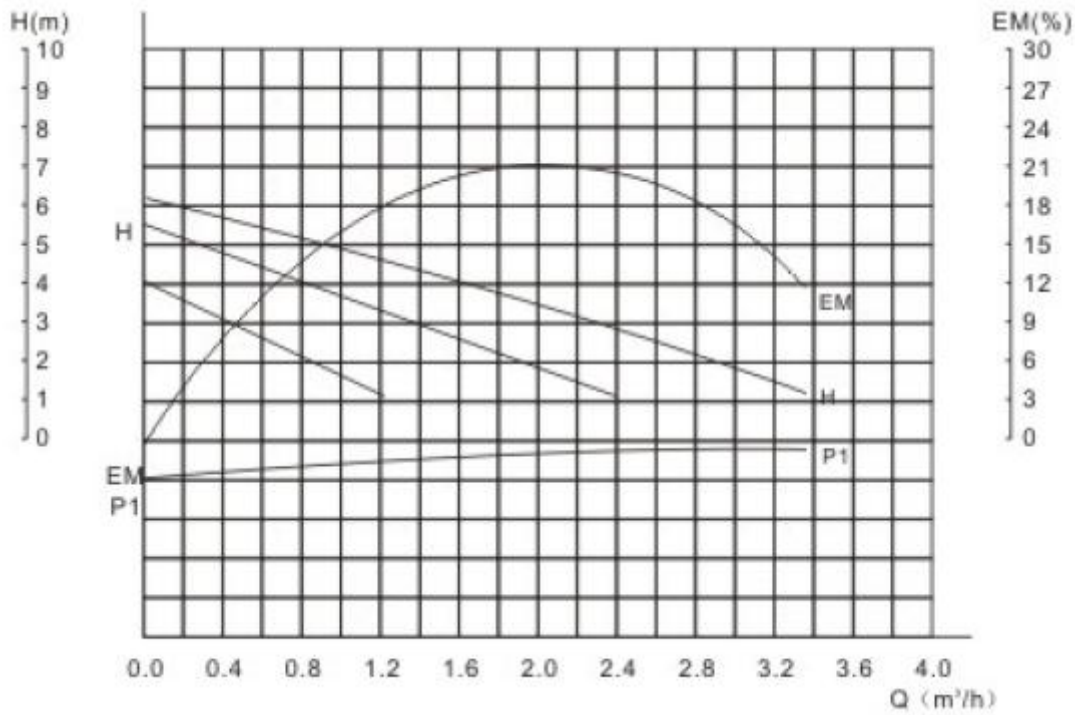
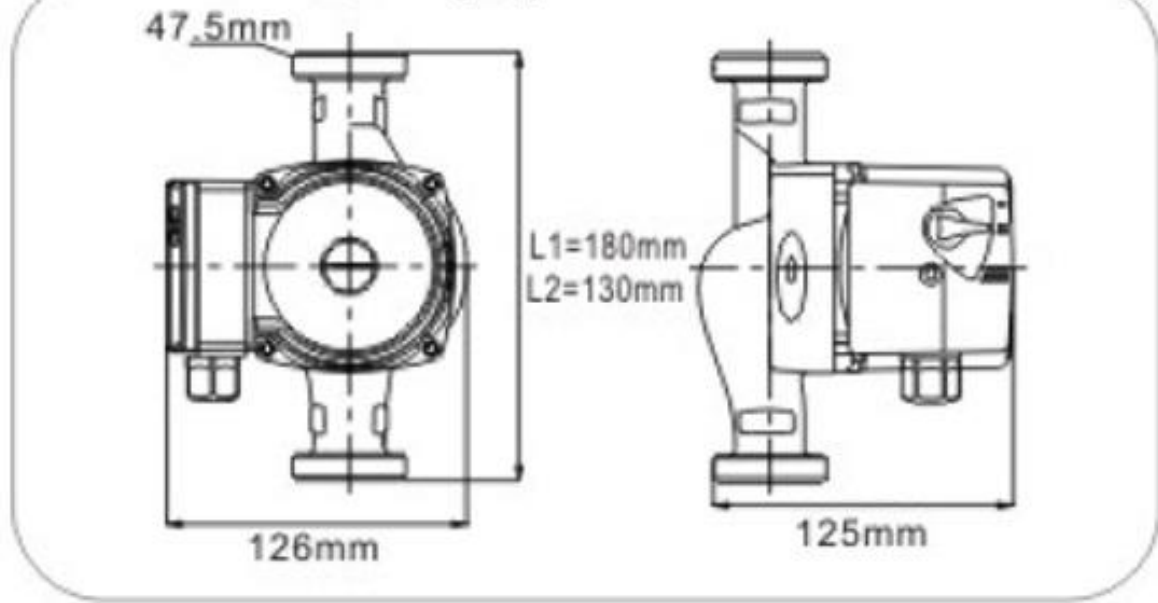


AVANSA 25/4/180



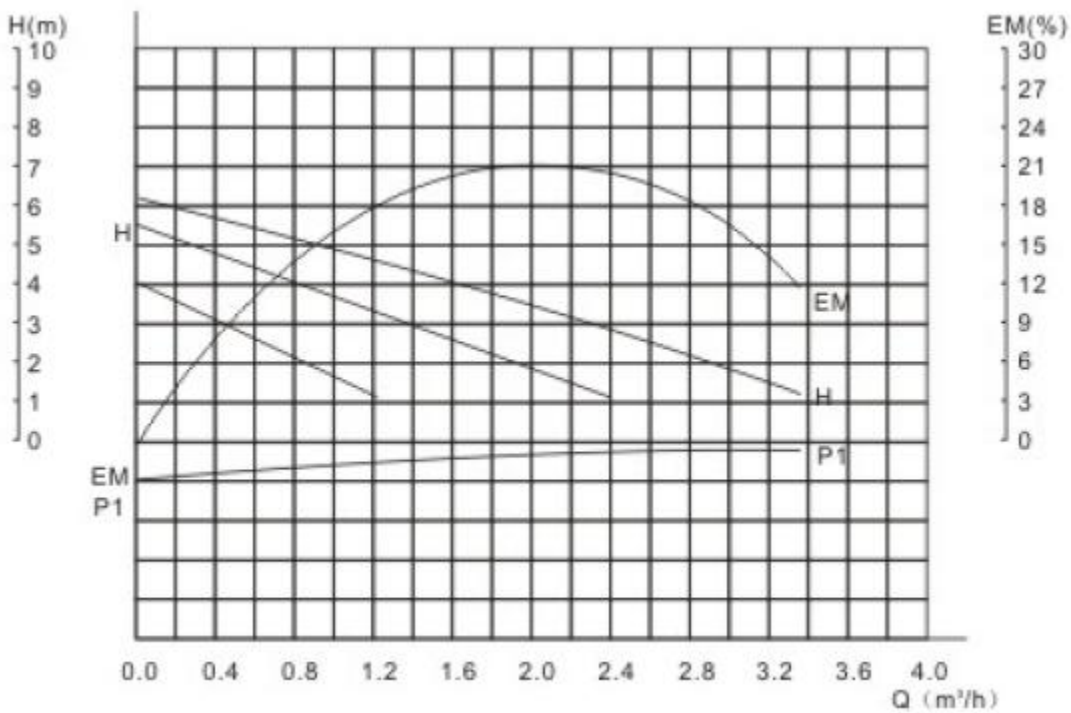
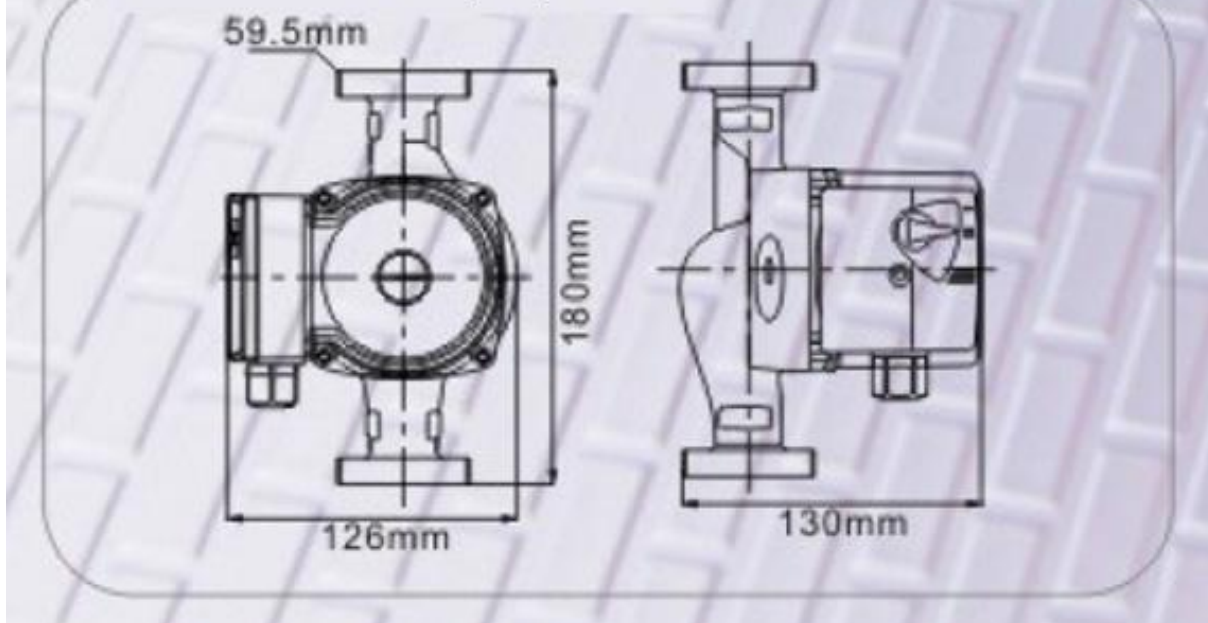
MODEL	INPUT (W) III / II / I	MAX. FLOW L/min	HEIGHT (m) MAX.	CONNECTION	WEIGHT (kg)
25/4	72/53/38	48/36/22	4,5/4/3	1 ½"	2,4

AVANSA 25/6/180



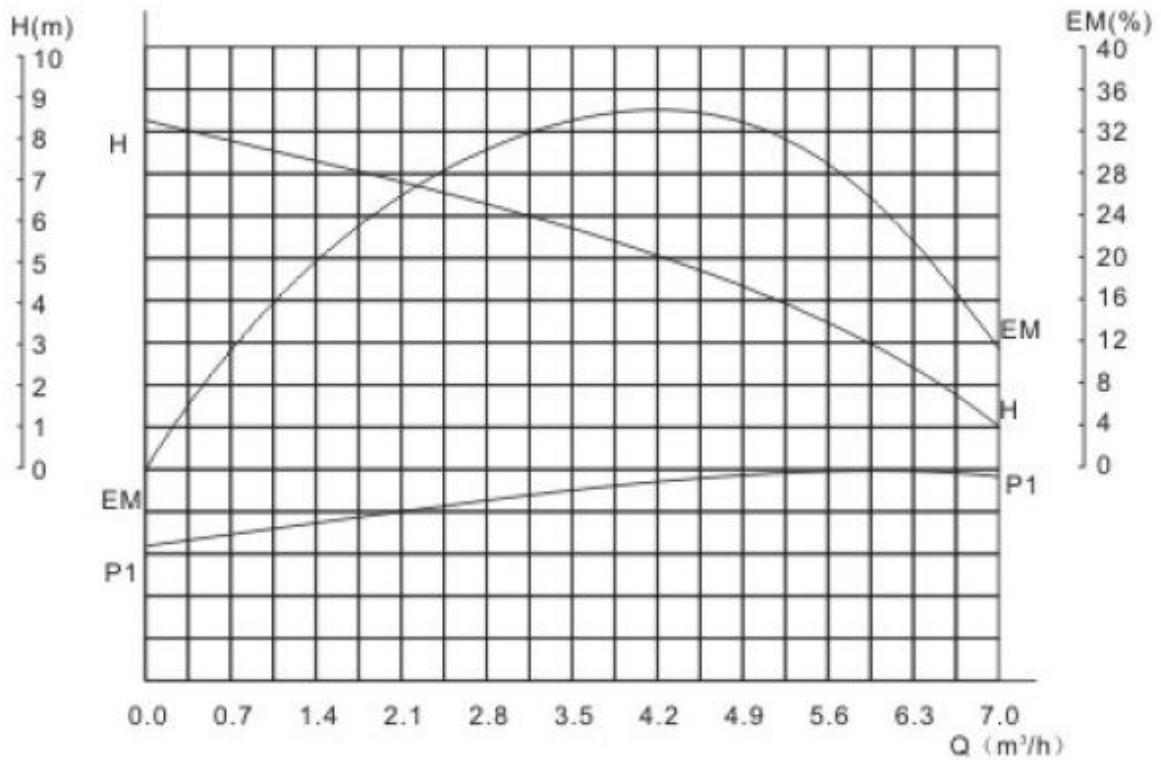
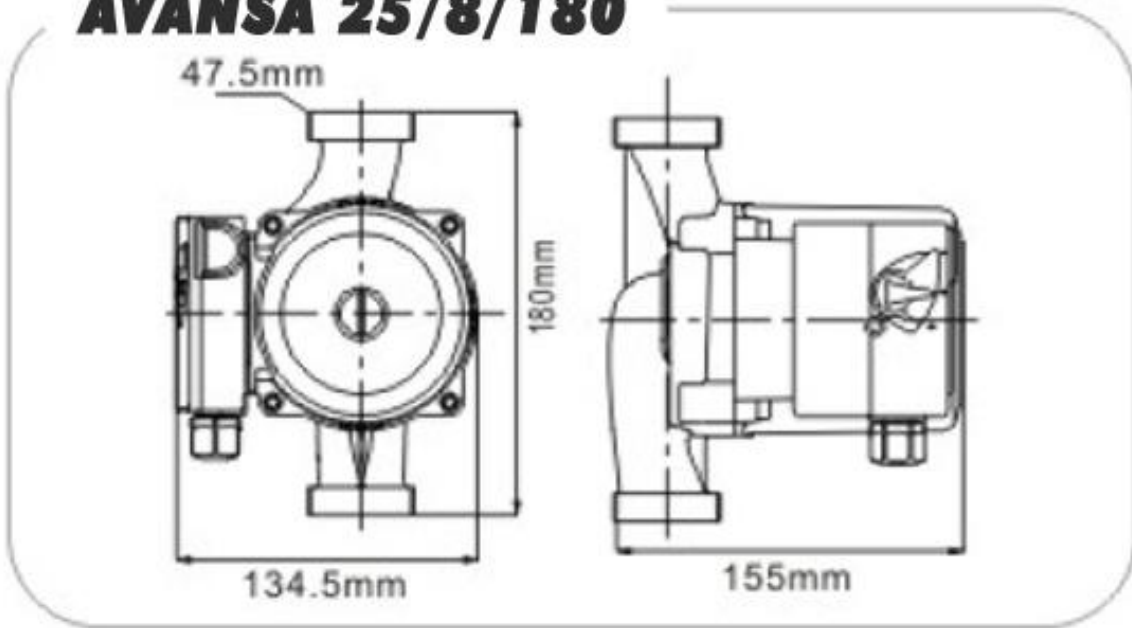
MODEL	INPUT (W) III / II / I	MAX. FLOW L/min	HEIGHT (m) MAX.	CONNECTION	WEIGHT (kg)
25/6	93/67/46	55/38/22	6/5/3	1 ½"	2,4

AVANSA 32/6/180



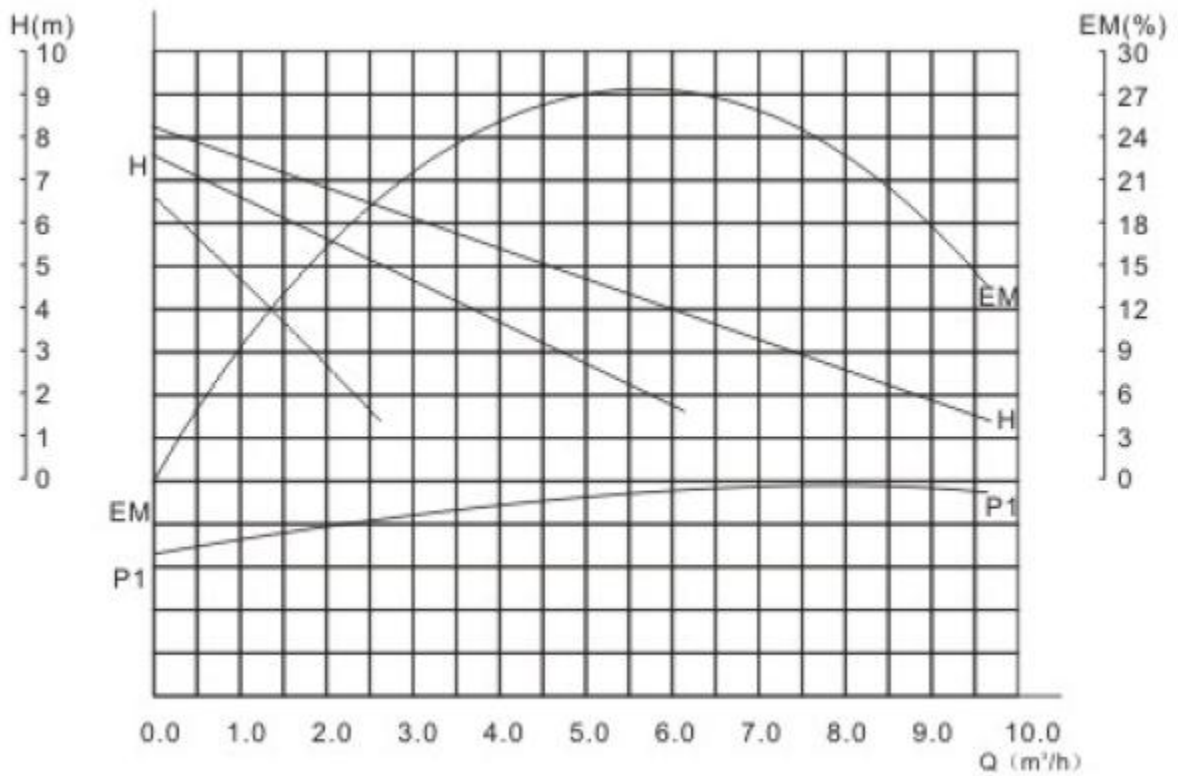
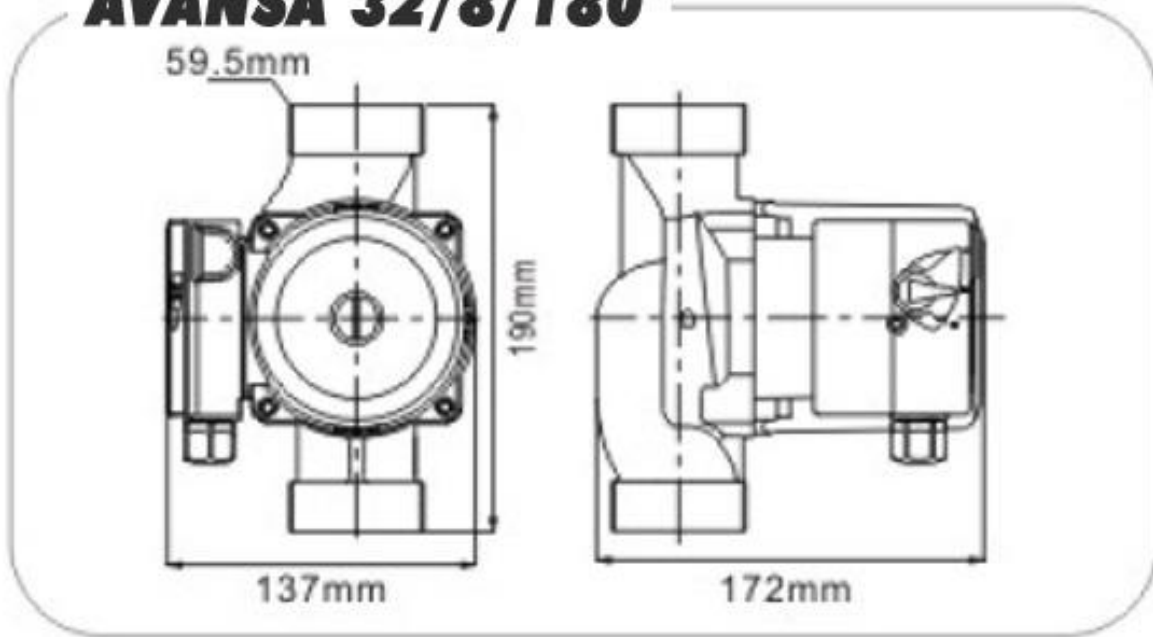
MODEL	INPUT (W) III / II / I	MAX. FLOW L/min	HEIGHT (m) MAX.	CONNECTION	WEIGHT (kg)
32/6	93/67/46	55/38/22	6/5/3	2"	2,5

AVANSA 25/8/180



MODEL	INPUT (W) III / II / I	MAX. FLOW L/min	HEIGHT (m) MAX.	CONNECTION	WEIGHT (kg)
25/8	182/170/145	115/95/45	8/7,5/7	1 ½"	3,8

AVANSA 32/8/180



MODEL	INPUT (W) III / II / I	MAX. FLOW L/min	HEIGHT (m) MAX.	CONNECTION	WEIGHT (kg)
32/8	270/210/150	160/103/43	8/7,5/6,5	2"	5